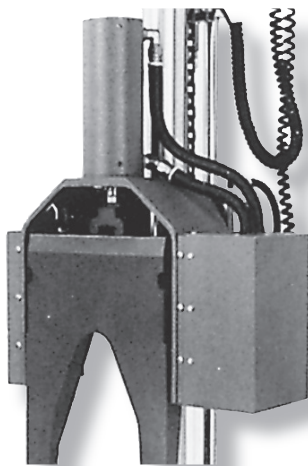
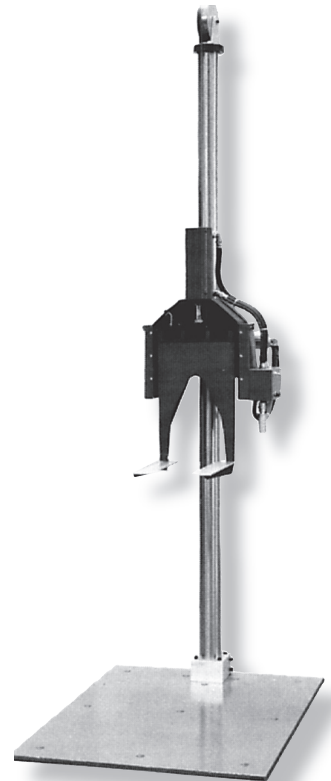


PDT-56 Precision Drop Tester

The Precision Drop Tester Model PDT-56 is Lansmont's most basic drop test system. The PDT-56 utilizes the same unique combination of precision guiding and high-speed pneumatics for superior accuracy as the Model PDT-56ED; however, it does not include an electric hoist for positioning. Instead, the drop height on the Model PDT-56 is adjusted manually. The PDT-56 incorporates a unique counter-balance assembly making drop height adjustments simple and easy. Drop heights may be adjusted in 1 in. (2.54 cm) increments for the first 36 in. (91.4 cm), and 6 in. (15.2 cm) increments up to 72 in. (183 cm). Package drops are initiated through a rugged, dependable foot-switch system.

PDT-56 Features:

- **Pneumatic Cylinder:** Fires the drop leaf straight down at acceleration levels greater than 1 g, imparting no rotational forces on the package and assuring accurate, repeatable flat drops.
- **Counter-balanced drop assembly** makes manually changing drop heights extremely easy.
- Meets and exceeds industry standards: ASTM, ISTA, etc.
- Extremely rugged construction for years of dependable service.
- Worldwide Customer Service Department.



PDT-56 Options:

- **Extended Platen:** This option increases the front-to-back capacity of the drop tester from 24 in. (61 cm) to 36 in. (91.4 cm).
- **Oversized Baseplate:** For testing larger specimens. Increases baseplate size from 53.5 in. x 36 in. (135.9 cm x 91.4 cm) to 53.5 in. x 60 in. (135.9 cm x 152.4 cm).
- **Edge and Corner Holding Fixture:** This device consists of a flexible support secured to the top of the pneumatic cylinder to hold packages in position for edge drops and corner drops.
- **Installation Kit:** Includes everything necessary for installing the drop tester, including concrete anchors and drill bit, low-pressure hose fittings, and plant-air regulator.

17 Mandeville Court, Monterey, CA 93940

1-800-LANSMONT • www.lansmont.com

PDT-56 Precision Drop Tester

TECHNICAL SPECIFICATIONS

PHYSICAL		
	STANDARD PLATEN	EXTENDED PLATEN
Max. Package Weight	175 lbs. (79 kg)	150 lbs. (68 kg)
Max. Package Size:		
Length	No Restrictions	No Restrictions
Width	24 in. (61 cm)	36 in. (91.4 cm)
Height	No Restrictions	No Restrictions
Flatness of Drop	Meets ASTM D-775	Meets ASTM D-775
Drop Height Range:		
Standard Baseplate	12 – 72 in. (30.5 – 182.9 cm)	18 – 72 in. (45.7 – 182.9 cm)
Slotted Baseplate	N/A	N/A
Additional Drop Height Option:	N/A	N/A
Slotted Baseplate	N/A	N/A
Drop Height Increments:		
Standard	1 in. from 12 – 36 in. (2.54 cm from 30.5 – 91.4 cm)	1 in. from 18 – 36 in. (2.54 cm from 45.7 – 91.4 cm)
	6 in. from 36 – 72 in. (15.2 cm from 91.4 – 182.9 cm)	6 in. from 36 – 72 in. (15.2 cm from 91.4 – 182.9 cm)
Additional Drop Height Option	N/A	N/A
UTILITIES		
Voltage	100 – 240 VAC	
Frequency	50 Hz – 60 Hz	
Phase	Single Phase	
Current	.25A – .50A	
Plant Air	60 psi (6.1 ATM)	
DIMENSIONS		
Overall Height	105 in. (266.7 cm)	
Baseplate Dimensions:		
Standard	53.5 in. x 36 in. (135.9 cm x 91.4 cm)	
Oversized	53.5 in. x 60 in. (135.9 cm x 152.4 cm)	
Shipping Weight	500 Lbs. (227 kg)	